





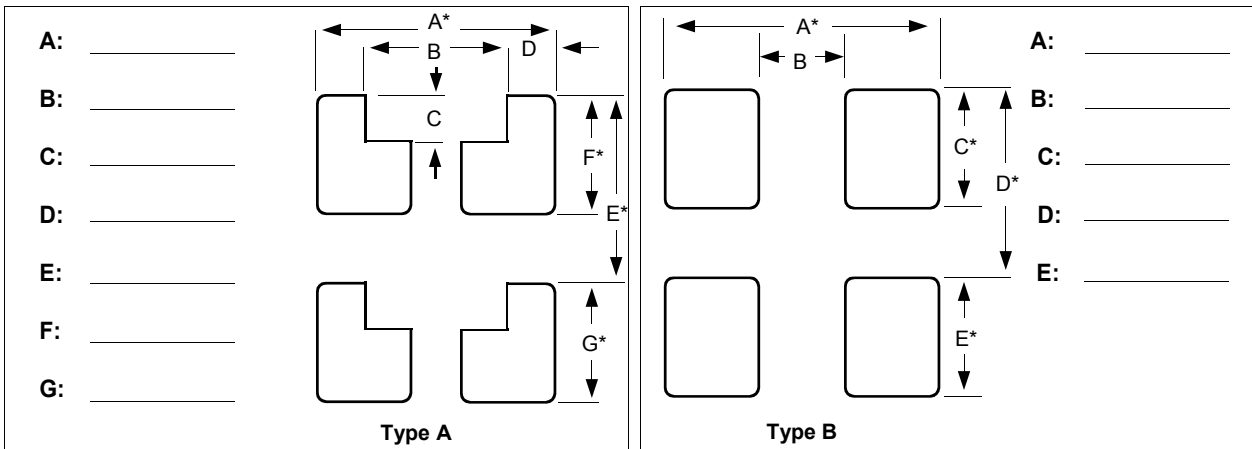
616 Industrial Road
 Frankfort, KY 40601
 Phone 800.666.9938
 Fax 502-695-0777
 sales@awpind.com
 www.awpind.com

Wire Mesh Rack Decking / Divider Quote Form

All Quotes are processed once this form is completed and returned.
 (All orders for American Wire Products' wire mesh rack decking must be accompanied by a completed order information sheet. Any errors in manufacturing due to mistakes or omissions on this sheet are the sole responsibility of purchaser, and no returns nor allowances will be permitted.)

Contact: _____ Date: _____
 Phone #: _____ Fax #: _____
 Dealer: _____ Dealer #: _____
 End User: _____ Quoted by: _____
 Notes: _____

Storage Rack Brand/Type: _____
 Distributed Load: _____ Concentrated Load: _____
 Lbs./Shelf Level: _____ Lbs./Deck: _____ Lbs./Sq. Ft.: _____
 Type of Beam: Step Box Other Length of Beam (Inside Columns): _____
 Style of Decking Required: Type A (Step)  Type B (Box)  Other (Attach description and sketch.)
 Special Instructions: _____



*These dimensions required for decking dividers only.

Authorized Signature: _____ **Date:** _____